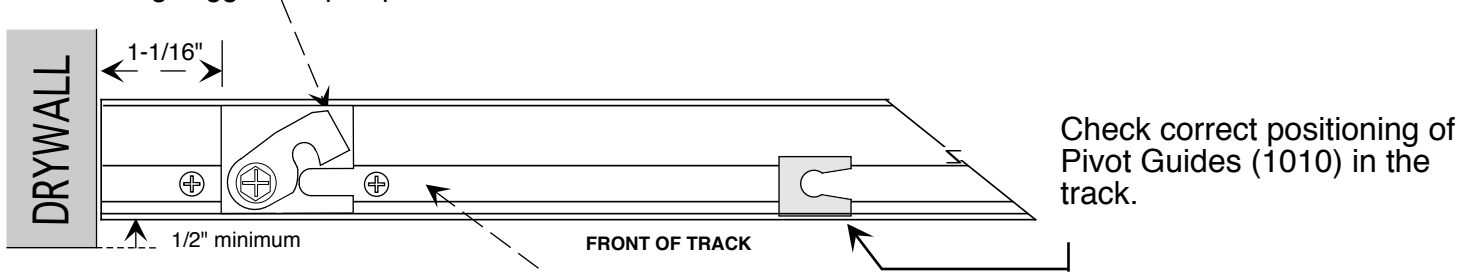


# Bifold Installation Instructions with Standard Floor Plates

page 1

MAGIGLIDE® bi-fold closet door systems

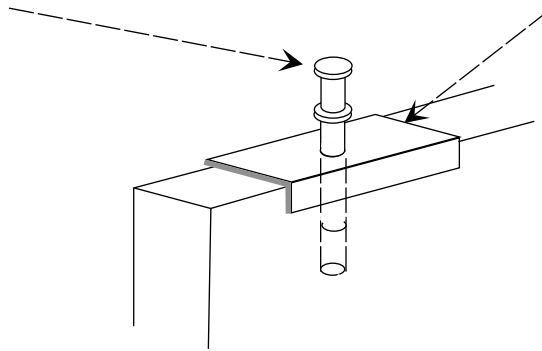
1. Measure the door opening and trim the metal track to fit. **Level the track.**  
**DO NOT** position track flush with face of wall. Set track at least 1/2" back from front edge of opening. Attach with suitable fasteners (supplied by others). To fully secure track, additional fasteners must be installed within 1/2" on each side of the cam lock assembly.
2. Position the Cam Lock Assembly approx. 1-1/16" from walls. Pre-tighten Toggle Screw (1033-1) leaving Toggle in open position.



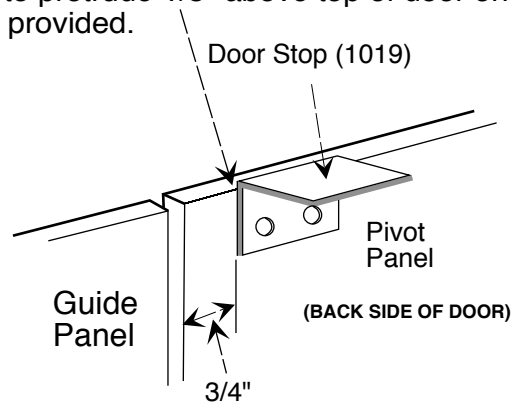
3. Insert Vinyl Bumper (1013) into the Track slot next to the Cam Lock Assembly.



4. Insert top Pivot Pins (1029) into factory mounted Pivot Brackets (1002) on each door panel.



5. Attach the Door Stop (1019) to protrude 1/8" above top of door on back of Pivot Panel. Use #8 x 5/8" screws (1009) provided.



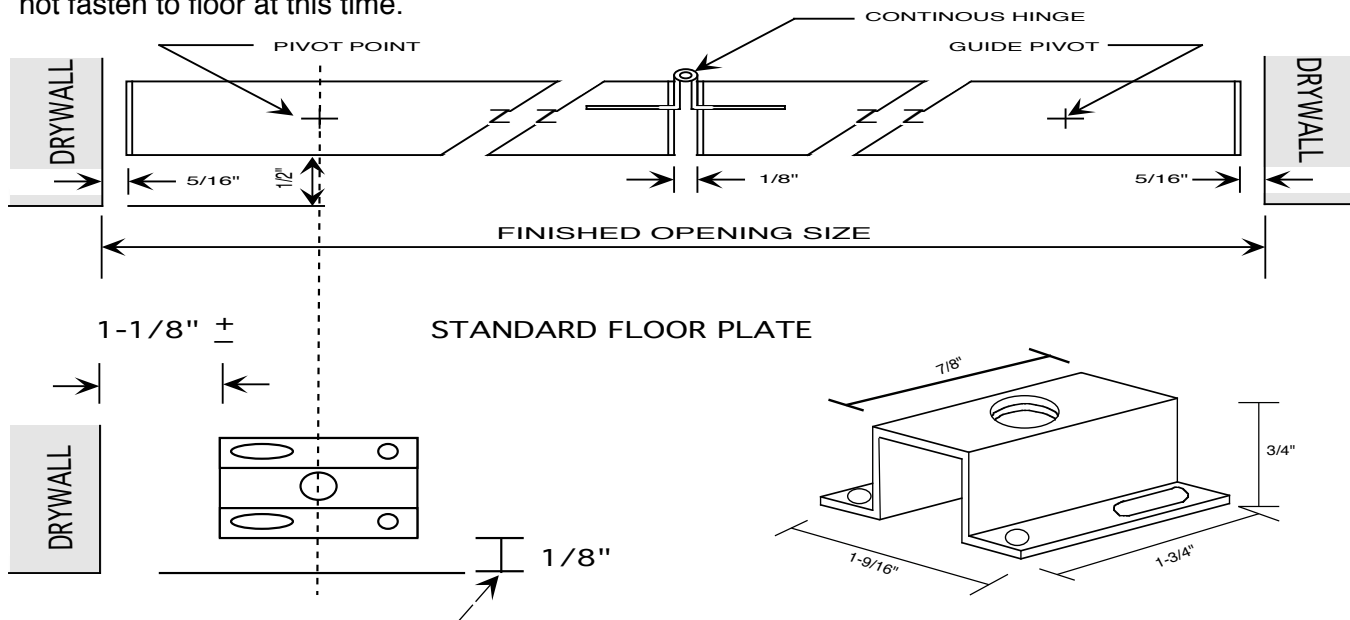
**General Precaution:** To prevent screws from stripping out of particleboard, **never** over-torque !

6. Assemble the Floor Plate Assembly (1003-1, -2, -3, -4) as shown in diagram on page 4.

-more on page 2

**Installation Instructions**

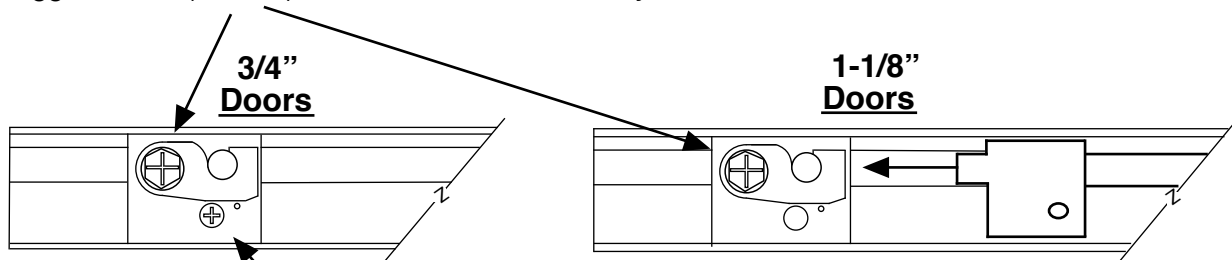
7. Position the Floor Plate Assembly so that it lines up approximately with the top Pivot bracket. Do not fasten to floor at this time.



\* THIS DIMENSION ONLY WORKS IF YOU BACKSET TOP TRACK 1/2"

8. Fold door to a 30-degree angle and set bottom Pivot Bracket (1002—factory-mounted) onto the Floor Plate Stud (1003-2). With door in a vertical position, slip top Pivot Pin (1029-1) into the Cam Lock Assembly located inside the Track. Snap Cam Lock Assembly Toggle closed to engage Pivot Pin. Make sure that the sliding Pivot Guide (1010) is located between the 2 Pivot Pins.

9. Tighten Toggle Screw (1033-1) in the Cam Lock Assembly



#8 X 1/2" Self-tapping Cam Lock Screw (1022)

**Safety Plate:** Fasten with self tapping screw.(1022)

10. Tighten Toggle Screw using wrench or long shaft screw driver.  
**3/4" Thick Bifolds** Insert Cam Lock Screw (1022) through Clamp Plate (1036) and fasten into Track.

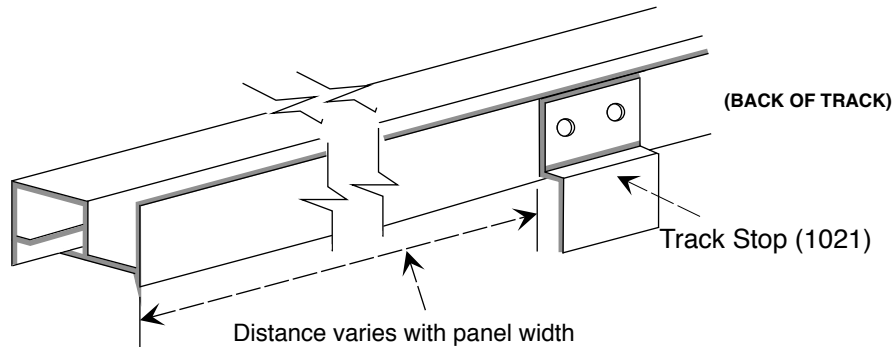
**1-1/8 " Thick Bifolds** Place Safety Plate next to cam plate, slide notch until it touches pin. Fasten safety plate with self tapping screw (1022)

**Caution: Failure to install the Cam Lock Screw or Safety Plate will void the warranty.**

11. Snap the other Top Pivot Pin (1029-1) on glide panel into sliding Pivot Guide (1010) using Vinyl Bumper (1013) as a stop.
12. Align the door horizontally allowing 5/16" clearance at each wall and 1/8" between meeting edges of the doors. Put a level on the face of the door vertically to make sure you are level. Once you have the door set with the correct margins trace the outline of your floor plate.

**Installation Instructions**

13. Next lift the door off the stud and place door on top of loose blocking further inside of opening (supplied by others). pencil out the screw holes on the flooring. You will then drill pilot holes in the proper spots. Anchor the Floor Plate Assembly directly to the floor inside your previously penciled out areas. On Concrete floors, we recommend using 3/16" x 1-1/4" Tapcon concrete fasteners (supplied by others).
14. Assemble the Floor Plate Assembly (1026 / 1003-2, -3, -4) as shown in diagram on page 4. Then lift door off of loose blocking and set back on top of stud.
15. Attach the Track Stop (1021) to back of track in line with Door Stop (1019) previously mounted. Use Self-tapping Screws (1022) provided.

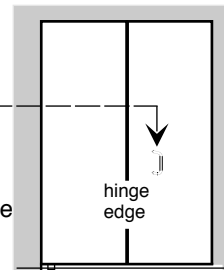


16. Set clearance between top of Door and Track from 1/4" to 7/16" by turning Stud (1003-2) in Floor Plate Assembly, with wrench provided. Tighten Stud Nut (1003-3) to lock.

**Note: This adjustment is critical to the smooth operation of the door.**

17. Mount Door Pulls (1015) on Glide Panel with 1-1/2 drywall screws provided. Door Pull height placement is to be determined by the installer.

1/3 of width of door from hinge edge, on the Glide Panel

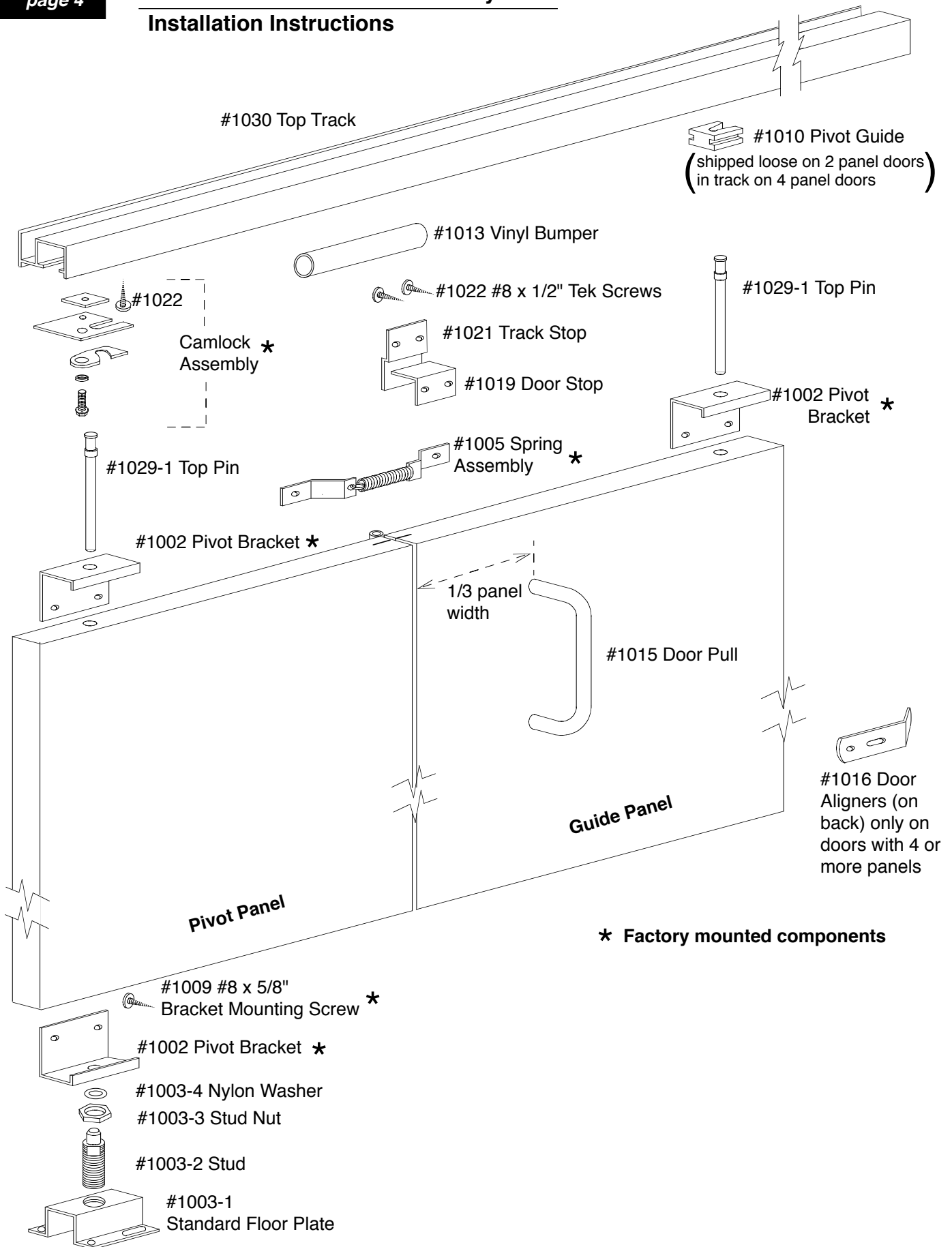


18. On doors with 4 or more panels, mount Door Aligners (1016) on back of panels, as shown in diagram on page 4. Doors of 6'-8" require 2 Aligners placed 4" from bottom of door. 8' tall doors require an additional pair of Aligners located 4' from top or bottom.

These Installation Instructions are provided as a guide to the proper installation of **MAGIGLIDE®** bi-fold closet door systems. Failure to follow tolerances detailed and explicit directions for activating locking mechanisms could void the manufacturer's warranty.



**MAGIGLIDE® bi-fold closet door systems**  
**Installation Instructions**



#1030 Top Track

#1010 Pivot Guide  
 (shipped loose on 2 panel doors)  
 in track on 4 panel doors

#1013 Vinyl Bumper

#1022

#1022 #8 x 1/2" Tek Screws

#1029-1 Top Pin

Camlock \*  
 Assembly

#1021 Track Stop

#1019 Door Stop

#1002 Pivot Bracket \*

#1029-1 Top Pin

#1005 Spring Assembly \*

#1002 Pivot Bracket \*

1/3 panel  
 width

#1015 Door Pull

#1016 Door  
 Aligners (on  
 back) only on  
 doors with 4 or  
 more panels

Guide Panel

Pivot Panel

\* Factory mounted components

#1009 #8 x 5/8"  
 Bracket Mounting Screw \*

#1002 Pivot Bracket \*

#1003-4 Nylon Washer

#1003-3 Stud Nut

#1003-2 Stud

#1003-1  
 Standard Floor Plate