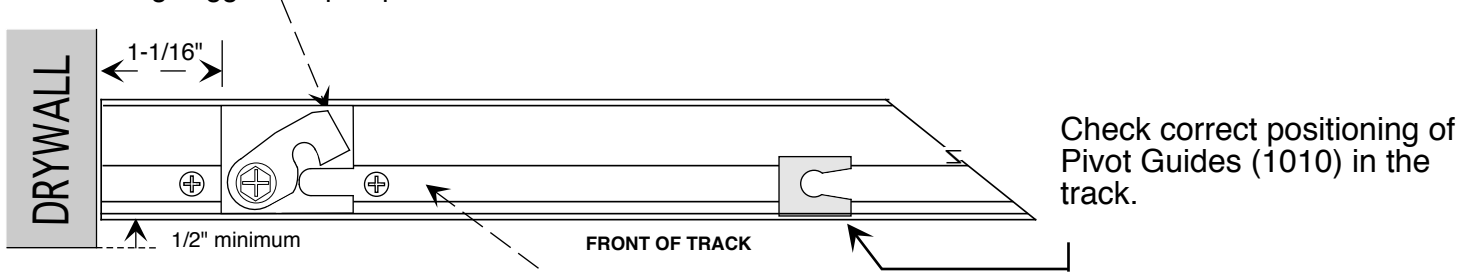


# Bifold Installation Instructions with Flat Floor Plates

page 1

MAGIGLIDE® bi-fold closet door systems

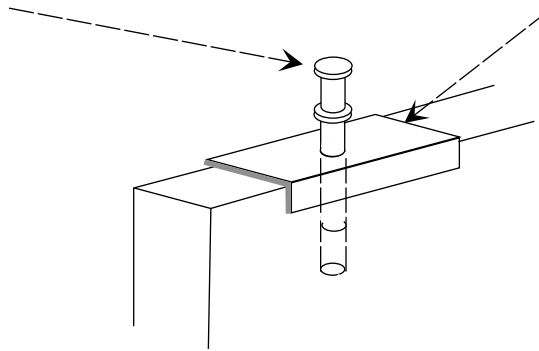
1. Measure the door opening and trim the metal track to fit. **Level the track.**  
**DO NOT** position track flush with face of wall. Set track at least 1/2" back from front edge of opening. Attach with suitable fasteners (supplied by others). To fully secure track, additional fasteners must be installed within 1/2" on each side of the cam lock assembly.
2. Position the Cam Lock Assembly approx. 1-1/16" from walls. Pre-tighten Toggle Screw (1033-1) leaving Toggle in open position.



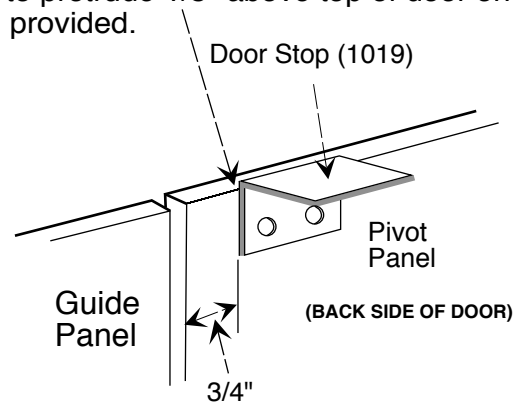
3. Insert Vinyl Bumper (1013) into the Track slot next to the Cam Lock Assembly.



4. Insert top Pivot Pins (1029) into factory mounted Pivot Brackets (1002) on each door panel.



5. Attach the Door Stop (1019) to protrude 1/8" above top of door on back of Pivot Panel. Use #8 x 5/8" screws (1009) provided.



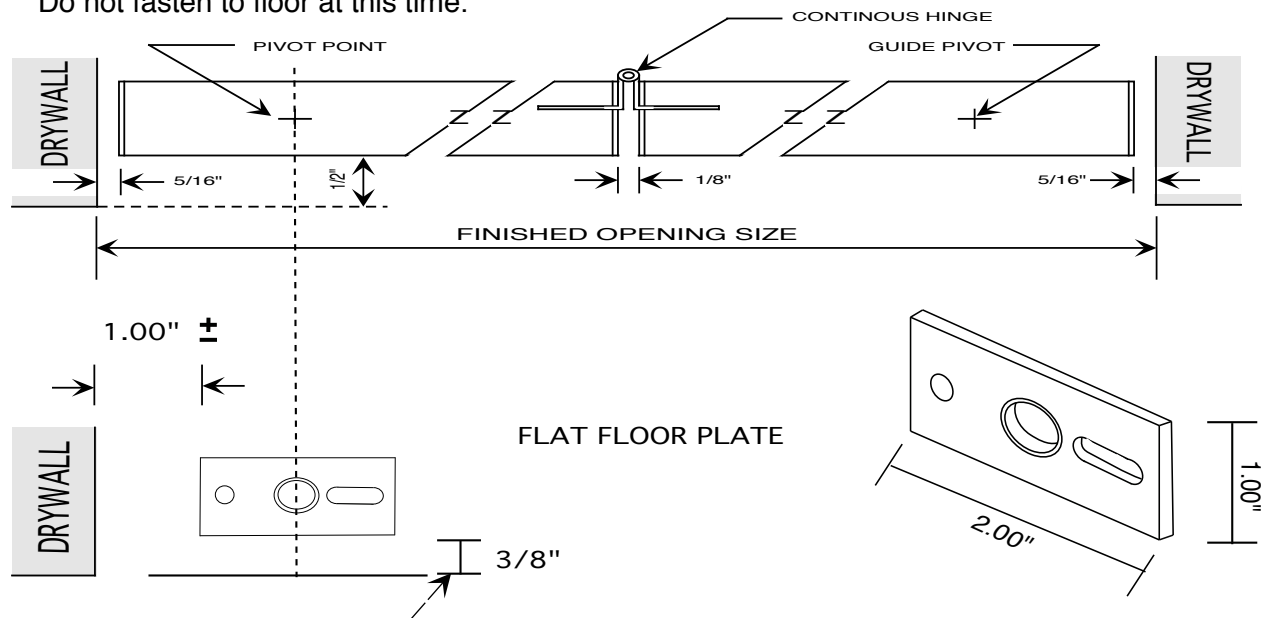
**General Precaution:** To prevent screws from stripping out of particleboard, **never** over-torque !

6. Assemble the Flat Floor Plate Assembly (1026 / 1003-2, -3, -4) as shown in diagram on page 4.  
**Make sure to use the Mini setting studs, (these are 1/2 size of our standard stud and will be colored).** Install this mini setting stud so it is flush with bottom of flat floor plate. These will only be used temporarily and will be switched out later with our standard stud in later steps.

-more on page 2

**Installation Instructions**

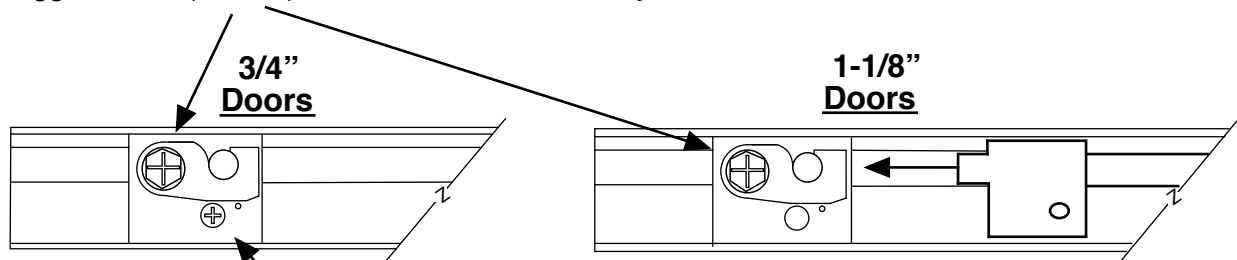
7. Position the Flat Floor Plate Assembly so that it lines up approximately with the top Pivot bracket. Do not fasten to floor at this time.



\* THIS DIMENSION ONLY WORKS IF YOU BACKSET TOP TRACK 1/2"

8. Fold door to a 30-degree angle and set bottom Pivot Bracket (1002—factory-mounted) onto the Flat Floor Plate Mini Setting Stud (colored stud). With door in a vertical position, slip top Pivot Pin (1029-1) into the Cam Lock Assembly located inside the Track. Snap Cam Lock Assembly Toggle closed to engage Pivot Pin. Make sure that the sliding Pivot Guide (1010) is located between the 2 Pivot Pins.

9. Tighten Toggle Screw (1033-1) in the Cam Lock Assembly



#8 X 1/2" Self-tapping Cam Lock Screw (1022)

**Safety Plate:** Fasten with self tapping screw.(1022)

10. Tighten Toggle Screw using wrench or long shaft screw driver.  
**3/4" Thick Bifolds** Insert Cam Lock Screw (1022) through Clamp Plate (1036) and fasten into Track.

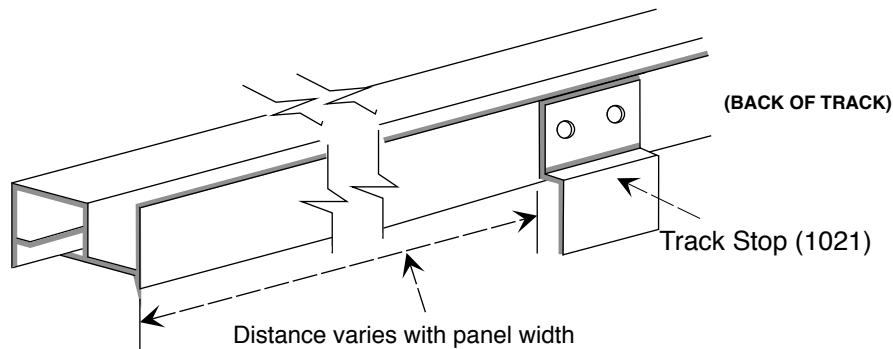
**1-1/8 " Thick Bifolds** Place Safety Plate next to cam plate, slide notch until it touches pin. Fasten safety plate with self tapping screw (1022)

**Caution: Failure to install the Cam Lock Screw or Safety Plate will void the warranty.**

11. Snap the other Top Pivot Pin (1029-1) on glide panel into sliding Pivot Guide (1010) using Vinyl Bumper (1013) as a stop.
12. Align the door horizontally allowing 5/16" clearance at each wall and 1/8" between meeting edges of the doors. Put a level on the face of the door vertically to make sure you are level. Once you have the door set with the correct margins trace the outline of your floor plate.

**Installation Instructions**

13. Next lift the door off the mini setting stud and place door on top of loose blocking further inside of opening (supplied by others). Remove mini setting stud from flat floor plate and pencil out the stud hole on the flooring. You will then drill a 7/16" hole in the proper spot. Install the flat floor plate with a non-cut standard stud. Anchor the Flat Floor Plate Assembly directly to the floor inside your previously penciled out area. On Concrete floors, we recommend using 3/16" x 1-1/4" Tapcon concrete fasteners (supplied by others).
14. Assemble the Flat Floor Plate Assembly (1026 / 1003-2, -3, -4) as shown in diagram on page 4. Then lift door off of loose blocking and set back on top of standard stud.
13. Attach the Track Stop (1021) to back of track in line with Door Stop (1019) previously mounted. Use Self-tapping Screws (1022) provided.

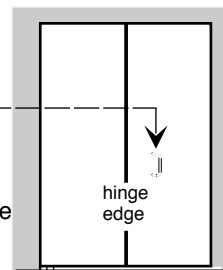


14. Set clearance between top of Door and Track from 1/4" to 7/16" by turning Stud (1003-2) in Floor Plate Assembly, with wrench provided. Tighten Stud Nut (1003-3) to lock.

**Note: This adjustment is critical to the smooth operation of the door.**

15. Mount Door Pulls (1015) on Glide Panel with 1-1/2 drywall screws provided. Door Pull height placement is to be determined by the installer.

1/3 of width of door from hinge edge, on the Glide Panel



16. On doors with 4 or more panels, mount Door Aligners (1016) on back of panels, as shown in diagram on page 4. Doors of 6'-8" require 2 Aligners placed 4" from bottom of door. 8' tall doors require an additional pair of Aligners located 4' from top or bottom.

These Installation Instructions are provided as a guide to the proper installation of **MAGIGLIDE®** bi-fold closet door systems. Failure to follow tolerances detailed and explicit directions for activating locking mechanisms could void the manufacturer's warranty.



# MAGIGLIDE® bi-fold closet door systems

## Installation Instructions

