

MAGIGLIDE BIFOLD AND BIPASS DOOR HARDWARE

PH: 847-674-6600

FAX: 847-674-6674

QTY REQ'D	PART NUM	DESCRIPTION	LIST PRICE	EXTENDED SELL PRICE
	1002	TOP OR BOTTOM PIVOT BRACKET	\$.75 EA.	_____
	1003-1	FLOOR PLATE	\$1.05 EA.	_____
	1003-2	FLOOR STUD (SHORT)	\$.90 EA.	_____
	1003-2	PIVOT STUD (LONG)	\$.95 EA.	_____
	1003-3	ASSEMBLY STUD NUT	\$.20 EA.	_____
	1003-4	NYLON WASHER	\$.05 EA.	_____
	1005	SPRING ASSEMBLY	\$1.00 EA.	_____
	1009	STANDARD SCREW (#8 X 5/8")	\$.05 EA.	_____
	1010	PIVOT GUIDE	\$.35 EA.	_____
	1013	VINYL (TUBE) STOP	\$.15 EA.	_____
	1015	WHITE NYLON WIRE PULL	\$.75 EA.	_____
	1016	DOOR ALIGNER	\$.25 EA.	_____
	1019	DOOR STOP	\$.25 EA.	_____
	1021	TRACK STOP	\$.25 EA.	_____
	1022	TRACK STOP SCREW	\$.05 EA.	_____
	1024	WRENCH	\$1.15 EA.	_____
	1026	FLAT FLOOR PLATE	\$.98 EA.	_____
	1027	180° BOTTOM PIVOT		_____
	1028	180° TOP PIVOT		_____
	1029	TOP PIVOT PIN -- 3"	\$.70 EA.	_____
	1030	ALUMINUM BIFOLD TRACK	\$1.60 /FT.	_____
	1033	CAM LOCK ASSEMBLY	#10-32 X 1/2" TOGGLE SCREW	\$1.45 EA.
	1034		TOGGLE NUTS (ZINC)	
	1035		TOGGLE BRACKET (ZINC)	
	1036		CLAMP PLATE	
	1037		FIBER WASHER	
	1038	3/4" X 3/4" ALUMINUM "U" CHANNEL	\$1.05 /FT.	_____
	1039	PLASTIC "U" CHANNEL	\$.50 /FT.	_____
	2000	ALUMINUM BIPASS DOOR TRACK	\$1.60 /FT.	_____
	2001	BIPASS DOOR HANGER (FOR A 3/4" DOOR	\$3.30 EA.	_____
	2002	BIPASS DOOR FLOOR GUIDE (PLASTIC)	\$2.10 EA.	_____
	2003	BIPASS FLUSH PULL (BRASS)	\$1.40 EA.	_____
	2004	BIPASS DOOR STOP	\$.85 EA.	_____

TOTAL PRICE FOR THE HARDWARE

SHIPPING AND HANDLING

TAX %

customer: _____

attn: _____

TOTAL PRICE FOR YOUR ORDER

address: _____

city, state: _____

Ship To: _____

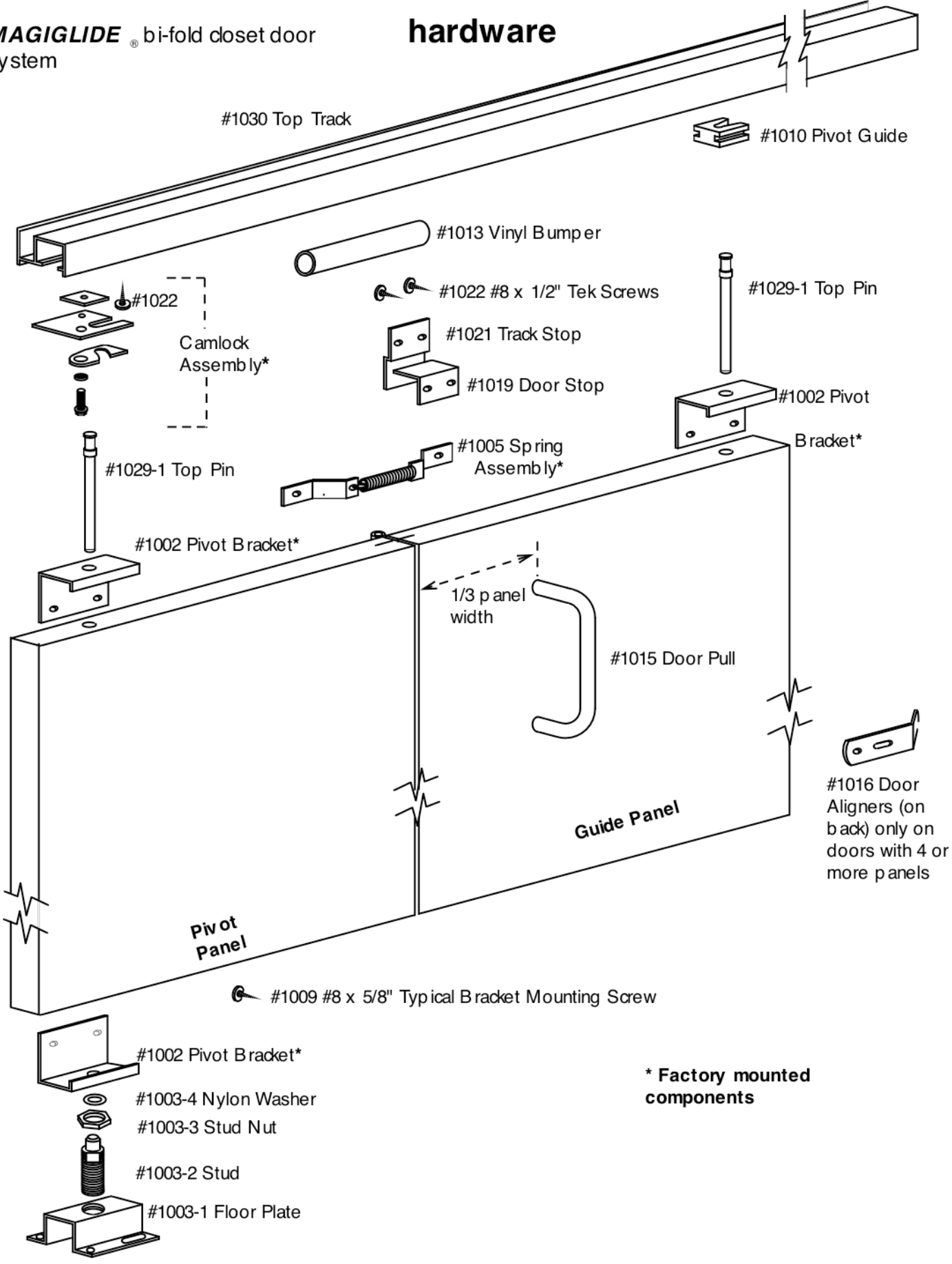
phone # _____

fax # _____

P.O. # _____

MAGIGLIDE® bi-fold closet door system

hardware



#1030 Top Track

#1010 Pivot Guide

#1013 Vinyl Bumper

#1022
Camlock Assembly*

#1022 #8 x 1/2" Tek Screws

#1029-1 Top Pin

#1021 Track Stop

#1019 Door Stop

#1002 Pivot Bracket*

#1029-1 Top Pin

#1005 Spring Assembly*

#1002 Pivot Bracket*

1/3 panel width

#1015 Door Pull

#1016 Door Aligners (on back) only on doors with 4 or more panels

Pivot Panel

Guide Panel

#1009 #8 x 5/8" Typical Bracket Mounting Screw

#1002 Pivot Bracket*
#1003-4 Nylon Washer
#1003-3 Stud Nut
#1003-2 Stud
#1003-1 Floor Plate

* Factory mounted components