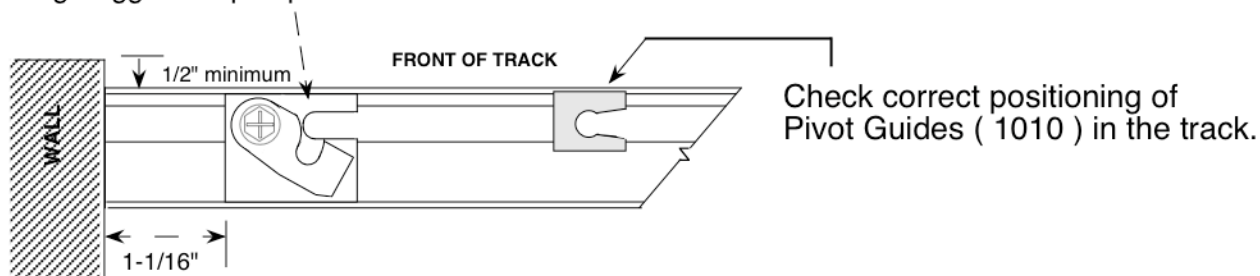
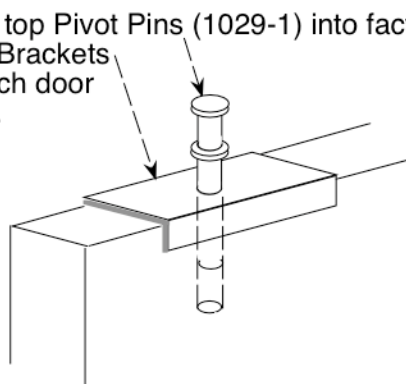


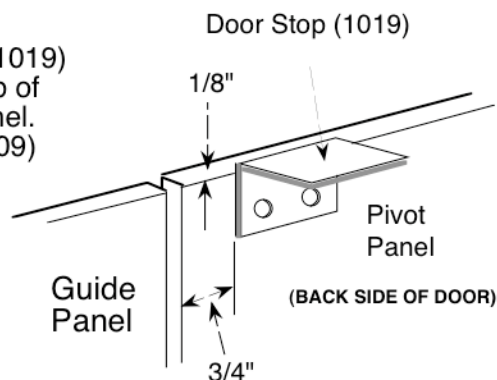
1. Measure the door opening and trim the metal Track to fit. **Level the Track.**  
DO NOT position Track flush with face of wall. Set Track at least 1/2" back from front edge of opening. Attach with suitable fasteners (supplied by others). To fully secure track additional fasteners must be installed within 1/2" on each side of the cam lock assembly.
2. Position the Cam Lock Assembly approx. 1-1/16" from walls. Pre-tighten Toggle Screw (1033-1) leaving Toggle in open position.



3. Insert top Pivot Pins (1029-1) into factory mounted Pivot Brackets on each door panel.



4. Attach the Door Stop (1019) to protrude 1/8" above top of door on back of Pivot Panel. Use #8 x 5/8" screws (1009) provided.

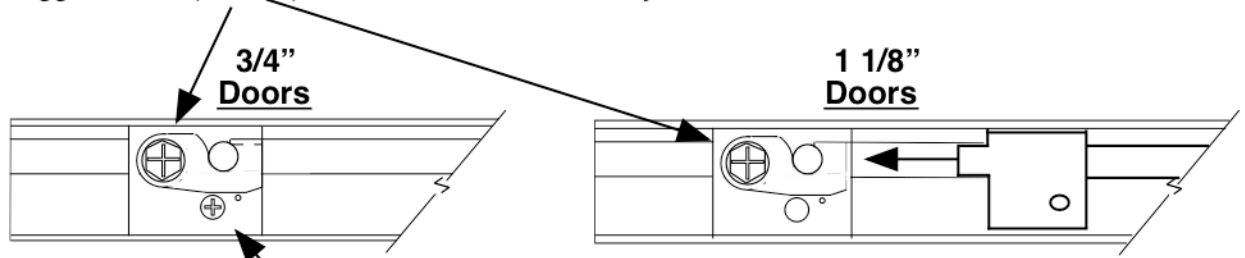


**General Precaution:** To prevent screws from stripping out of particleboard, **never** over-torque !

5. Assemble the Floor Plate Assembly (1003-1, -2, -3, -4) as shown in diagram on page 3.
6. Position the Floor Plate Assembly so that it lines up approximately with the top Pivot bracket. Do not fasten to floor at this time.
7. Fold door to a 30-degree angle and set bottom Pivot Bracket (1002—factory-mounted) onto the Floor Plate Stud (1003-2). With door in a vertical position, slip top Pivot Pin (1029-1) into the Cam Lock Assembly located inside the Track. Snap Toggle closed to engage Pivot Pin. Make sure that the sliding Pivot Guide (1010) is located between the 2 Pivot Pins.
8. Insert Vinyl Bumper (1013) into the Track slot next to the Cam Lock Assembly.
9. Snap Top Pivot Pin (1029-1) into sliding Pivot Guide (1010) using Vinyl Bumper as a stop.
10. Align the door horizontally allowing 5/16" clearance at each wall and 1/8" between meeting edges of the doors. Anchor the Floor Plate Assembly directly to the floor. On concrete floors, we recommend using 3/16" x 1-1/4" Tapcon concrete fasteners (supplied by others).

**Installation Instructions**

11. Tighten Toggle Screw (1033-1) in the Cam Lock Assembly



#8 X 1/2" Self-tapping Cam Lock Screw (1022)

**Safety Plate:** Fasten with self tapping screw.(1022)

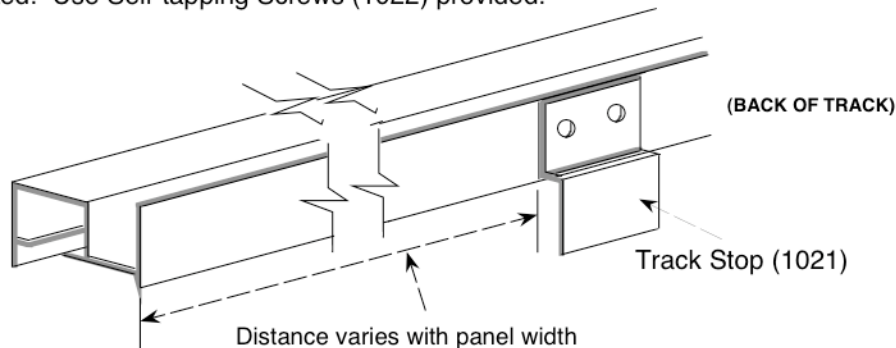
12. Align doors and check clearance in opening. Tighten Toggle Screw using wrench or long shaft screw driver.

**3/4" Thick Bifolds** Insert Cam Lock Screw (1022) through Clamp Plate (1036) and fasten into Track.

**1 1/8 " Thick Bifolds** Place Safety Plate next to cam plate, slide notch until it touches pin. Fasten safety plate with self tapping screw (1022)

**Caution: Failure to install the Cam Lock Screw or Safety Plate will void the warranty.**

13. Attach the Track Stop (1021) to back of Track in line with Door Stop (1019) previously mounted. Use Self-tapping Screws (1022) provided.

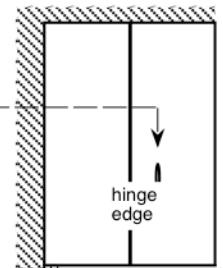


14. Set clearance between top of Door and Track from 1/4" to 7/16" by turning Stud (1003-2) in Floor Plate Assembly, with wrench provided. Tighten Stud Nut (1003-3) to lock.

**Note: This adjustment is critical to the smooth operation of the door.**

1/3 of width of door from hinge edge, on the Glide Panel

15. Mount Door Pulls (1015) on Glide Panel with 1-1/2 drywall screws provided. Door Pull height placement is to be determined by the installer.



16. On doors with 4 or more panels, mount Door Aligners (1016) on back of panels, as shown in diagram on page 3. Doors of 6'-8" require 2 Aligners placed 4" from bottom of door. 8' tall doors require an additional pair of Aligners located 4' from top or bottom.

These Installation Instructions are provided as a guide to the proper installation of **MAGIGLIDE®** bi-fold closet door systems. Failure to follow tolerances detailed and explicit directions for activating locking mechanisms could void the manufacturer's warranty.

**LANDQUIST & SON Inc.**

6428 N. Ridgeway Avenue, Lincolnwood, IL 60712

**L**  
**MAGIGLIDE®**  
**S**

